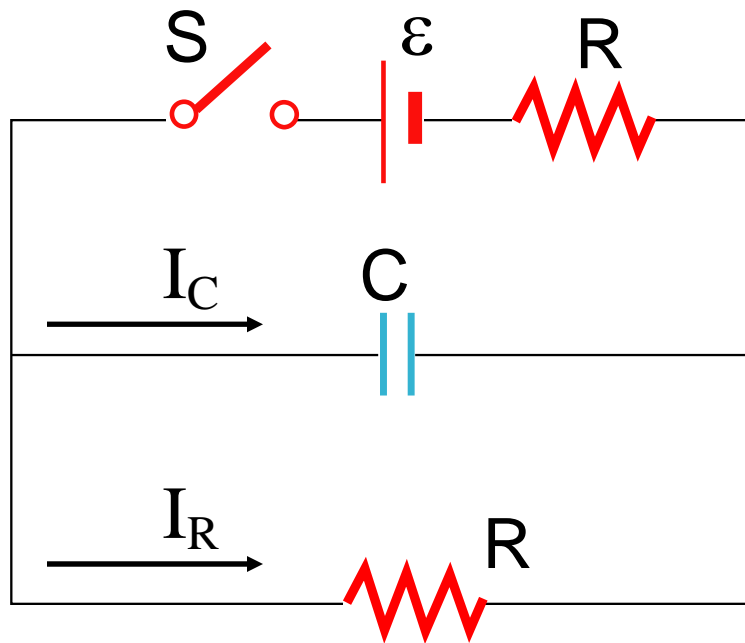


# RC Circuit



Consider the above circuit, with an initially uncharged capacitor and two identical resistors. At the instant the switch is closed:

1.  $I_R = I_C = 0$
2.  $I_R = I_C = \varepsilon/R$
3.  $I_R = \varepsilon/2R$ ;  $I_C = 0$
4.  $I_R = 0$ ;  $I_C = \varepsilon/R$
5.  $I_R = \varepsilon/2R$ ;  $I_C = \varepsilon/R$